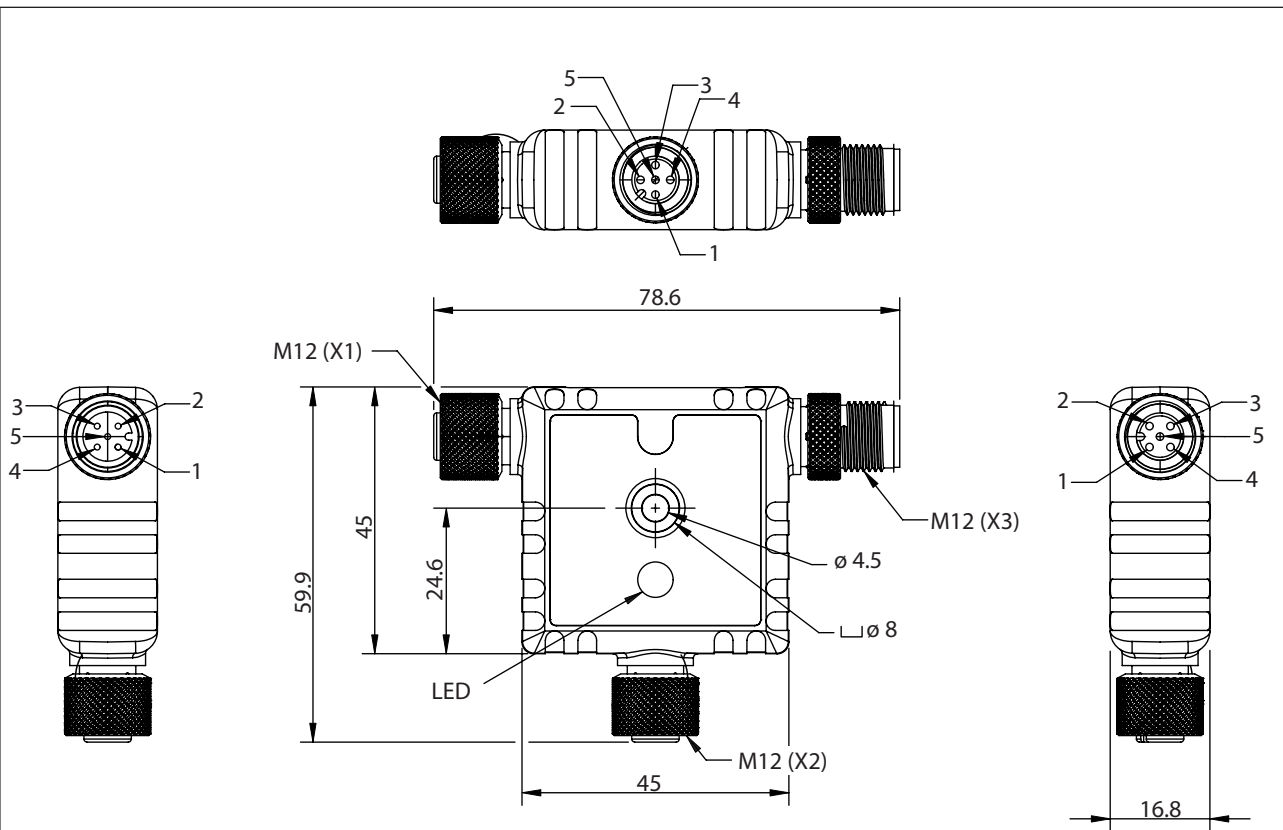


T-adapter Series SEU

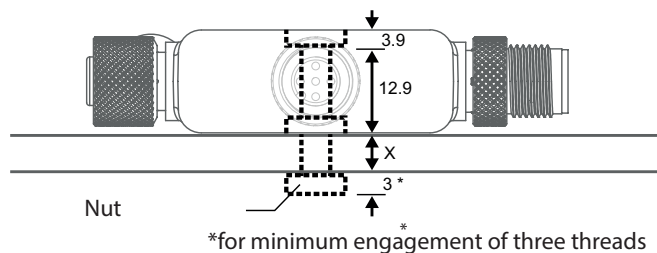
Description **SEU-1/0-T45-C-X-AB**

Article number **6075689191**



Pin assignment

	X1 / X3	X2	
Pin 1	24 V DC	CH1a	BN
Pin 2	OSSD1	CH1b	WH
Pin 3	0 V DC	NC	BU
Pin 4	OSSD2	CH2a	BK
Pin 5	NC	CH2b	GY




Electrical Data		
Rated operating voltage	U_e	24 V DC +15 %, - 20 % (PELV / SELV power supply). The external power supply must be able to buffer short mains interruptions of 20ms as specified in IEC / EN 60204-1.
Rated insulation voltage	U_i	75 V DC
Rated impulse withstand voltage	U_{imp}	500 V
Rated conditional short circuit current		100 A
No-load current	I_o	60 mA typical at 24 V DC 75 mA maximum at 19.2 V DC
Response Time	t_a	max. 40 ms + (7 ms x number of following DCD units)
Switch-on delay	t_v	≤ 2 s
EMV		according to EN 61326-1 and EN 61326-3-1
Input device requirement		2x N.C.
Simultaneity requirement		3 s
OSSD Outputs		
two solid state		pnp, short-circuit proof
Voltage level		according to Typ 3 EN 61131-2
Rated operating current	I_e	30 mA
Leakage current	I_r	≤ 1 mA
Protection		Sustained short-circuit and overload protection
Voltage drop	U_d	≤ 3 V
Type of short circuit protection		thermal / digital (clocking)
Test pulse duration		70 μs
Test pulse rate		1 s

Mechanical Data	
Enclosure	Polyvinyl chloride (PVC), black
Tightening torque of fastening screws	0,56 Nm
Union nut on connections	Cu/Zn, nickel-plated
Indication	1x LED red/green
Vibration resistance	Maximum values during operation: 10Hz to 500 Hz, amplitude 0.35mm, Acceleration 50m/s ²
Ambient temperature	-25°C - +55°C
Maximum relative humidity	45 % - 85% without condensation
Type of protection	IP65, IP67 (DIN EN 60529) Indoor application

Safety data		
Up to PL	e	acc. to EN ISO 13849-1
Category	4	
PFH ₀	6,5 x 10 ⁻⁹ 1/h	acc. to DIN EN 62061
SIL CL	3	
Service life	20 years	

Standards	
	EN 61326-1, EN 61326-3-1
	EN ISO 13849-1, DIN EN 62061

EU-Conformity	
	according to directive 2006/42/EG (Safety-of-Machinery-Directive)
	according to directive 2011/65/EU (RoHS II)
	according to directive 2014/30/EU (EMC-Directive)
	according to directive 2012/19/EU (EU-WEEE II) 

Approvals	
	TÜV
	cULus

Notes	
Only connect the SEU-1/0-T45-C to a SELV (Safety Extra-Low Voltage) for circuits without earthing or a PELV (Protected Extra-Low Voltage) for circuits with an earthed power supply according to EN/IEC 60950.	
The specified protection classification (IP code) applies only when an appropriate plug connector is used.	